



MOTOR CONTROLS

ENCLOSED VARIABLE FREQUENCY DRIVES WITH BYPASS S-FLEX ENCLOSED DRIVES

DESCRIPTION

The **S-Flex** variable frequency drive is a fully enclosed package that combines the Altivar 212 with a circuit breaker disconnect, optional bypass circuit and many other features required in the new construction market. This product is fully enclosed in the **S-Flex** package to prevent EMI and RFI from radiating into the environment and interfering with telephone and control signals.

FEATURES

- **Square D Altivar 212 Variable Frequency Drive**
- **Standard Circuit Breaker disconnect (Fused disconnect for 460V 75 or 100 Hp)**
- **Reduced harmonic technology- eliminates the need for line reactors and DC chokes**
- **Preprogrammed for pump and fan applications**
- **Windows-based software**
- **Dedicated terminal blocks**
- **Slender design**
- **Internal PID regulator**

NEW!



(Shown with optional LCD graphic display)



13

MOTOR CONTROLS

SPECIFICATIONS

Supply Voltage	208 VAC ±10%, 230 VAC ±10%, 460 VAC ±10%, 3 Phase	Overload Protection	Class 10 and Class 20 overload protection with bypass in addition to controller internal electronic thermal protection
Current Rating	Limit 150% of nominal device full load amperage (FLA) for 60s	Communication Protocol RS485 (Standard)	Modbus™, BACnet®, Metasys® N2, Apogee® P1
Frequency	60 Hz ± 5%	Cards (option)	Lonworks®
Horsepower	1-100 Hp (model specific)	Communication Ports	RJ45
Acceleration Time	0.1s to 999.9s (adjustable in 0.1s increments)	Display	LED/ Keypad or LCD Graphic (optional)
Deceleration Time	0.1s to 999.9s (adjustable in 0.1s increments)	Operating Humidity	95% with no condensation or dripping water
Altitude Limits	3300 ft (100m) maximum without derating	Operating Temperature	14° to 140°F (-10° to 40°C)
Efficiency	Greater than 95%	Enclosure Rating	NEMA 1
Analog Input	2; VIA 4 to 20mA or 0V to 10V, VIB 0V to 10V	Approvals	Pollution degree 2 per NEMA ICS-1 and IEC 60664-1 UL Listed per UL508C Class 10 and 20 Conforms to NEMA, IEC, NFPA, ISO9001
Inputs	3 multi-function programmable logic inputs	Warranty	18 months
Analog Output	4 to 20 mA or 0-10V selectable 970 ohms		
Outputs	1 fault relay, 1 assignable SPST (N.O.) relay		

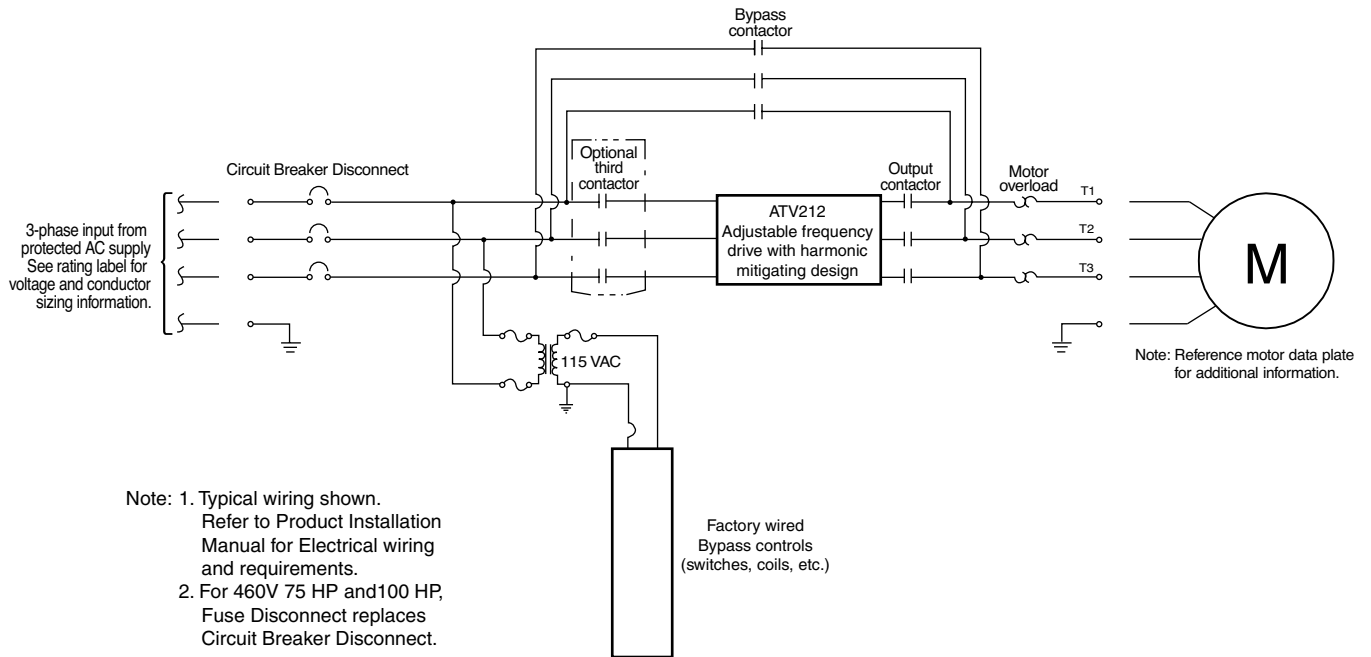
NEW!



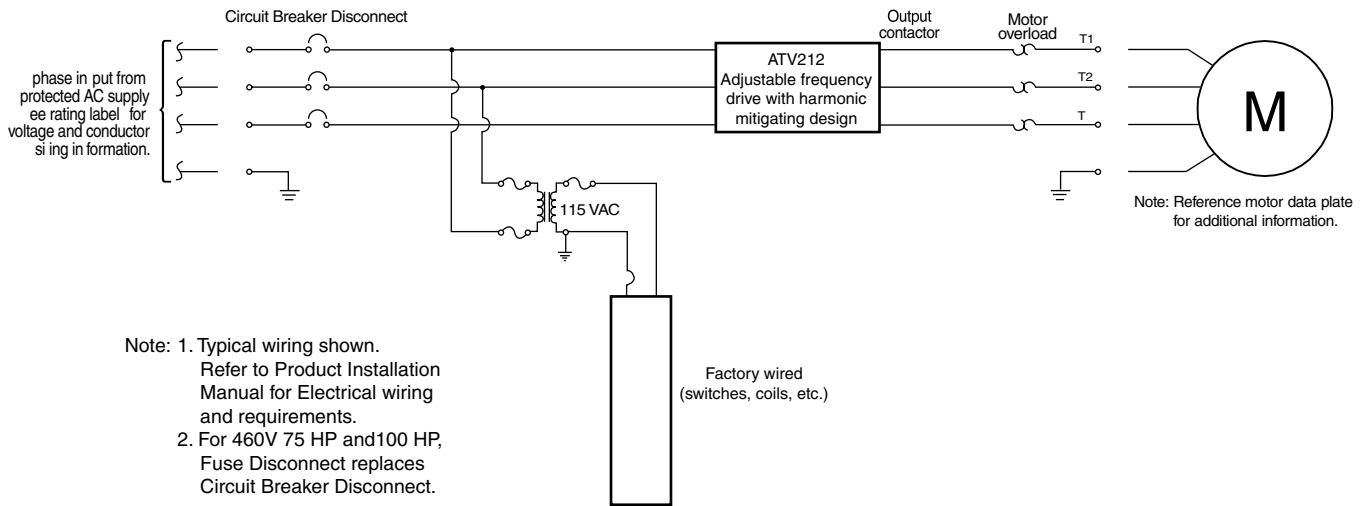
ENCLOSED VARIABLE FREQUENCY DRIVES WITH BYPASS S-FLEX ENCLOSED DRIVES

WIRING

BYPASS



DISCONNECT ONLY



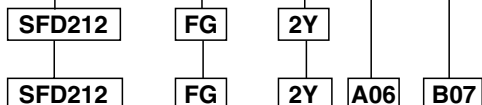


MOTOR CONTROLS

ENCLOSED VARIABLE FREQUENCY DRIVES WITH BYPASS S-FLEX ENCLOSED DRIVES

ORDERING INFORMATION

Model	Description
SFD212	S-Flex VFD NEMA 1 with Bypass
	CG 1 HP Drive
	DG 2 HP Drive
	EG 3 HP Drive
	FG 5 HP Drive
	GG 7.5 HP Drive
	HG 10 HP Drive
	JG 15 HP Drive
	KG 20 HP Drive
	LG 25 HP Drive
	MG 30 HP Drive
	NG 40 HP Drive
	PG 50 HP Drive available with 460V only (4Y selection)
	QG 60 HP Drive available with 460V only (4Y selection)
	RG 75 HP Drive available with 460V only (4Y selection)
	SG 80 HP Drive available with 460V only (4Y selection)
	2Y 208V
	3Y 230V
	4Y 460V
	Options
	A06 BACnet
	B06 LON works
	C06 Metasys N2
	D06 Apogee P1
	N06 Modbus
	A07 Input Disconnect
	B07 3rd Contractor
	- Standard LED Display
	D07 Optional LCD Display



Example: SFD212FG3Y 5Hp enclosed drive, disconnect with 2 contractor bypass

Example: SFD212FG2YA06B07 5Hp, BACnet communications, 3rd contractor and optional LCD display

ACCESSORIES

EZM72MC	EZ Mounting channel, 72 in. length
TCSMCNAM3M002P	USB to RJ45 Adaptor kit
VW3A2104	PCsoft Test and Commissioning Software (No charge download from the internet www.schneider-electric.com)
VW3A8106	PC cable [9.8 ft. (3m)] for use with Test and Commissioning software (VW3A2104)